

# NELSON™ HEAT TRACING SYSTEMS SPECIFICATION / APPLICATION

## TE760-SV THERMOSTAT INSTALLATION

### DESCRIPTION



These thermostats are used for high temperature piping on freeze protection and process maintenance applications in hazardous locations. For MI cable applications that require design voltages less than 120VAC, adjustable between 30 to 100VAC.

### ENCLOSURE

Cast Aluminum

### CLASSIFICATIONS

NEMA Type 4, 7, 9 IP66

### TEMPERATURE RANGE

0 to 538°C (32 to 1000°F)

### CAPILLARY

Length	Material	Max. Bulb Temperature
3m (10ft.)	Incoloy 825	593°C (1100°F)

### ELECTRICAL DATA

Load: 5 amp resistive @ 30 to 100VAC  
Control Voltage: 120VAC

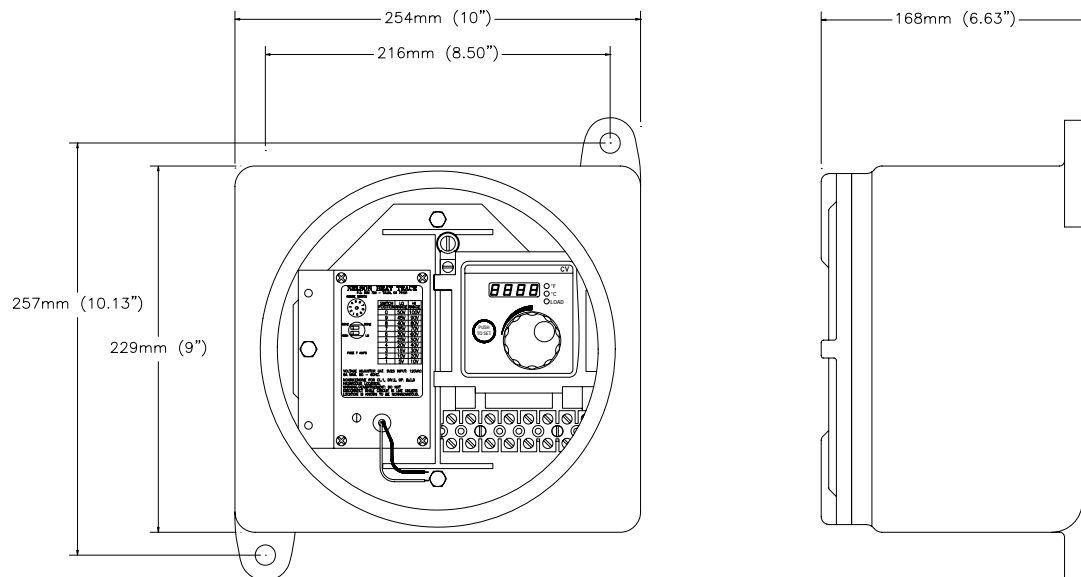
### CALIBRATION ACCURACY

±1% of span

### SWITCH TYPE

Single Pole Double Throw

### OUTLINE

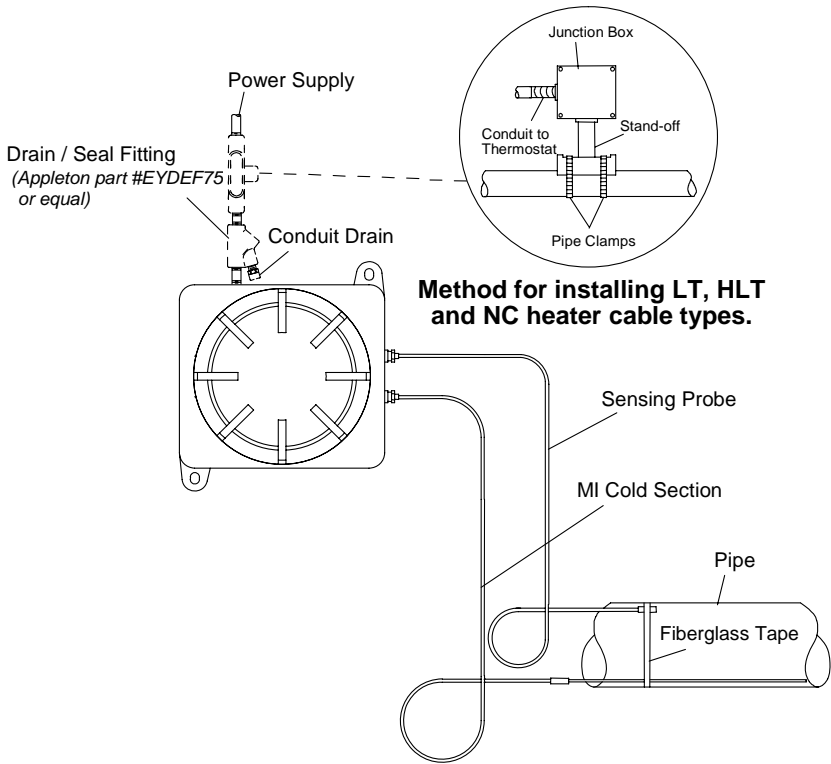


### Approvals:

FM - Class I; Div. 1; Groups B, C, D  
- Class II; Div. 1; Groups E, F, G  
- Class I; Zone 1; AEx d IIB+H<sub>2</sub>

CSA - Class I; Div. 1; Groups B, C, D  
- Class II; Div. 1; Groups E, F, G  
- Class I; Zone 1; Ex d IIB+H<sub>2</sub>

**INSTALLATION**



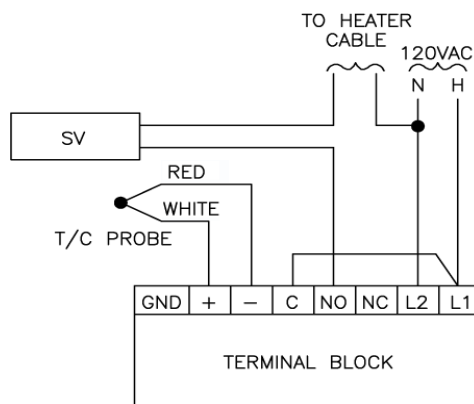
**INSTALLATION NOTES:**

- Securely mount thermostat enclosure and connect to power wiring.
- Verify thermostat set point is at the desired maintenance temperature.
- Close enclosure cover to prevent damage from inclement weather.
- Insure all fittings associated with the power wiring are installed per applicable codes.
- When conduit type systems are used, low point drains / conduit drains are highly recommended.

**ANNUAL MAINTENANCE:**

Spray a coat of lubricant and rust preventative such as CRC Stor & Lube on the electrical wire connections.

**WIRING DIAGRAM**



Nelson Heat Tracing Systems products are supplied with a limited warranty. Complete Terms and Conditions may be found on Nelson's website at [www.nelsonheaters.com](http://www.nelsonheaters.com).